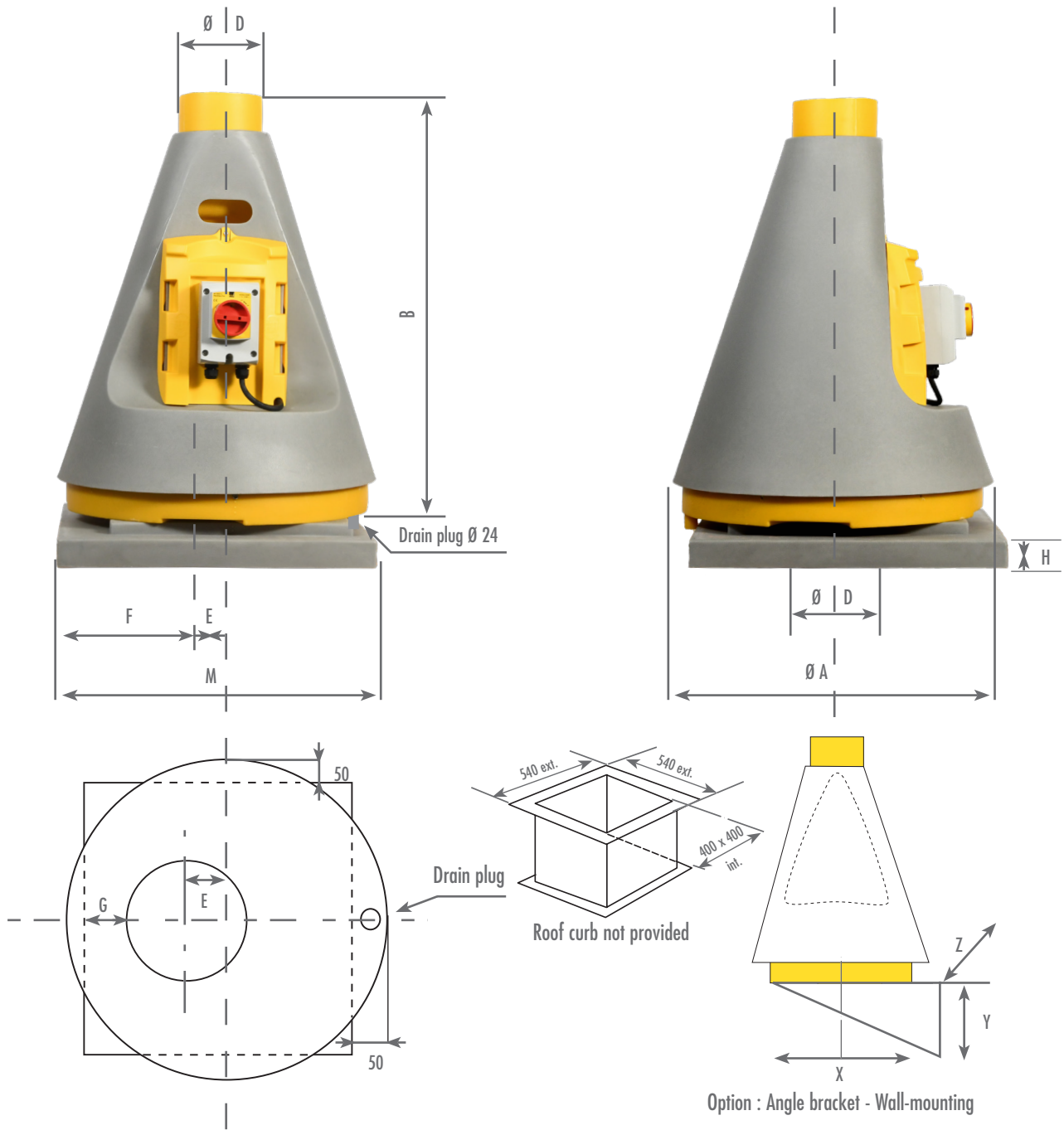


# JET SERIES

## JET 20



Available in  

Dimension (mm) - Metal stand not included (see accessories)

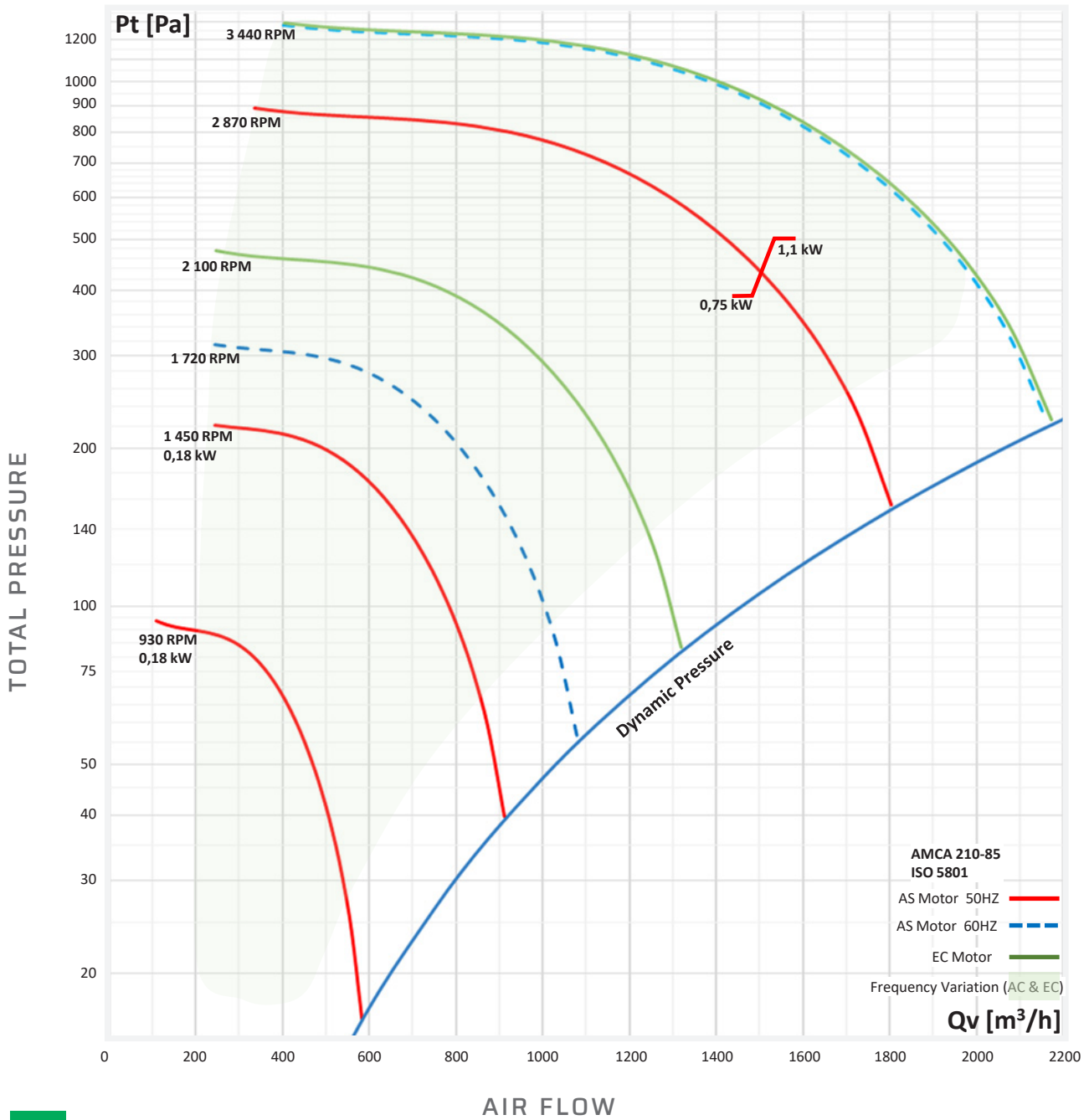
| A   | B   | ØD  | E  | F   | G   | H  | X   | Y   | Z   | M          |
|-----|-----|-----|----|-----|-----|----|-----|-----|-----|------------|
| 600 | 800 | 160 | 50 | 250 | 160 | 70 | 280 | 350 | 400 | 540-540 mm |

## NOISE LEVELS

| Speed (T/min) | Acoustic (dB) |         |           |            | Frequency Octave (Hz) |     |     |     |      |      |      |      |
|---------------|---------------|---------|-----------|------------|-----------------------|-----|-----|-----|------|------|------|------|
|               | Qv (m³/h)     | Sp (Pa) | LwA dB(A) | LpA* dB(A) | 63                    | 125 | 250 | 500 | 1000 | 2000 | 4000 | 8000 |
| 1450          | 470           | 190     | 66        | 45         | 61                    | 67  | 66  | 63  | 61   | 55   | 52   | 45   |
| 2870          | 925           | 740     | 80        | 60         | 76                    | 81  | 80  | 78  | 75   | 69   | 67   | 60   |

\*Acoustic pressure Lp at 3 meters - Outlet acoustic data available on request.

# JET SERIES - JET 20



## ELECTRICAL FEATURES

| Motor                                      | Power (kW) | Motor RPM | Voltage (V) | Intensity (A) | Weight (kg) | Reference Number |
|--|------------|-----------|-------------|---------------|-------------|------------------|
| <b>IP55 Asynchronous Single-Phase</b>      | 0,18       | 1450      | 230         | 1,4           | 12,75       | 71202010         |
|  | 0,75       | 2870      | 230         | 4,8           | 13,93       | 71203010         |
| <b>IP65 EC Single-Phase</b>                | 0,45       | 1720      | 230         | 2,7           | 6,8         | 72202010         |
|  | 0,45       | 2100      | 230         | 2,7           | 6,8         | 72203010         |
| <b>IP55 Asynchronous Three-Phase</b>       | 0,18       | 930       | 230/400     | 1,22/0,7      | 12,4        | 71201000         |
|  | 0,18       | 1450      | 230/400     | 1,09/0,63     | 12,5        | 71202000         |
|  | 0,75       | 2870      | 230/400     | 2,85/1,64     | 15,93       | 71203000         |
|  | 1,1        | 2870      | 230/400     | 4,02/0,07     | 16,93       | 71203001         |
| <b>IP55 Asynchronous Three-Phase ATEX </b> | 0,18       | 930       | 230/400     | 1,06/0,61     | 22,3        | 71201003         |
|  | 0,18       | 1450      | 230/400     | 1,13/0,65     | 12          | 71202003         |
|  | 0,75       | 2870      | 230/400     | 3,45/2        | 16,9        | 71203003         |
|  | 1,1        | 2870      | 230/400     | 4,33/2,5      | 12,5        | 71203006         |

Mandatory PTC Sensor for ATEX motor with Frequency Inverter.