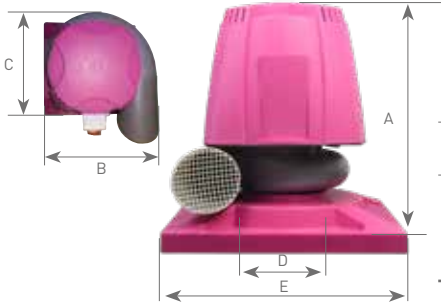


# OUR RANGE OF MOUNTING OPTIONS

## STANDARD ROOF UNIT KIT

### Specifications

Cap bracket - Motor Cap - Roof curb base - Exhaust Guard with or without switch + Reinforcement (for S35 only)  
(According to the reference number)



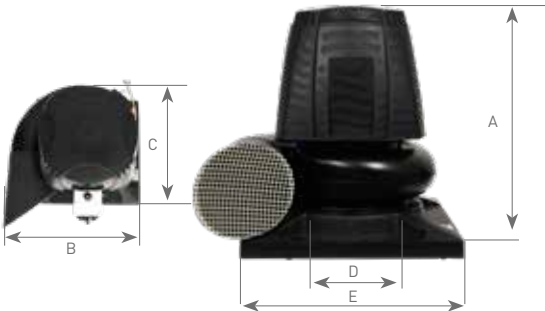
The roof kit for the SEAT 35 is black. The pink roof kit applies to SEAT 15, 20, 25, 30.

Reference Number with Switch	Reference Number without Switch	Compatibility	Dimensions (mm)					Weight (Kg)
			A	B	C	D	E	
811000	811009	SEAT 15 - 0,18 KW	550	560	560	125	547/547 int.	4,60
		SEAT 15 - 0,37 KW						
811001	811005	SEAT 20 - 0,18 KW	560	600	560	160	547/547 int.	4,80
		SEAT 20 - 0,75 KW						
811002	811006	SEAT 20 - 1,1 KW	590	680	595	200	547/547 int.	4,80
		SEAT 25 - 0,18 KW						
		SEAT 25 - 0,37 KW						
		SEAT 25 - 0,55 KW						
		SEAT 25 - 1,5 KW						
811003	811007	SEAT 25 - 2,2 KW	680	780	650	250	547/547 int.	5,10
		SEAT 25 - 3 KW						
811004	811008	SEAT 30 - 0,55 KW	880	950	850	315	700/700 int.	9,00
		SEAT 30 - 1,1 KW						
		SEAT 35 - 2,2 KW						
		SEAT 35 - 4 KW						
		SEAT 35 - 5,5 KW						
		SEAT 35 - 7,5 KW						

## ATEX ROOF UNIT KIT

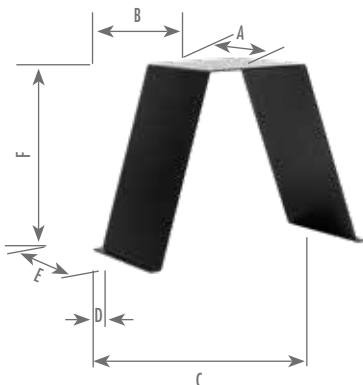
### Specifications

Atex Cap Bracket - Atex Motor Cap - Atex Roof Curb Base - Atex Exhaust Guard with Switch + Atex Reinforcement (for S35 only)



Reference Number	Compatibility	Dimensions (mm)					Weight (Kg)
		A	B	C	D	E	
811009AT	SEAT 15 - 0,18 KW	550	560	560	125	547/547 int.	3,50
	SEAT 15 - 0,37 KW						
811005AT	SEAT 20 - 0,18 KW	560	600	560	160	547/547 int.	5,60
	SEAT 20 - 0,75 KW						
811006AT	SEAT 20 - 1,1 KW	590	680	595	200	547/547 int.	4,80
	SEAT 25 - 0,37 KW						
	SEAT 25 - 1,5 KW						
811007AT	SEAT 25 - 2,2 KW	680	780	650	250	547/547 int.	5,10
	SEAT 25 - 3 KW						
811008AT	SEAT 30 - 0,55 KW	880	950	850	315	700/700 int.	6,00
	SEAT 30 - 1,5 KW						
	SEAT 35 - 2,2 KW						
		SEAT 35 - 5,5 KW					
		SEAT 35 - 7,5 KW					

## METAL STAND



Reference Number	Compatibility	Dimensions (mm)						Weight (Kg)
		A	B	C	D	E	F	
810000	STORM 10 - 0,06 KW	140	137	235	20	120	130	1,02
	STORM 10 - 0,09 KW							
810001	SEAT 15 - 0,18 KW	190	180	320	20	160	240	1,97
	SEAT 15 - 0,37 KW							
	SEAT 20 - 0,18 KW							
	SEAT 20 - 0,75 KW							
	SEAT 20 - 1,1 KW							
810003	STORM 12 - 0,18 KW	190	180	400	20	160	300	2,40
	STORM 12 - 0,37 KW							
	STORM 14 - 1,1 KW							
810005	SEAT 25 - 0,18 KW	190	180	400	20	160	300	2,40
	SEAT 25 - 0,37 KW							
810006	SEAT 25 - 0,55 KW	190	180	400	20	160	300	5,30
	SEAT 25 - 1,5 KW							
810007	SEAT 25 - 2,2 KW	200	240	440	20	220	350	5,43
	STORM 16 - 2,2 KW							
	SEAT 30 - 0,55 KW							
810008	SEAT 30 - 1,1 KW	300	350	600	20	310	468	16,00
	SEAT 35 - 2,2 KW							
	SEAT 35 - 4 KW							
	SEAT 35 - 5,5 KW							
	SEAT 35 - 7,5 KW							
810009	STORM 18 - 7,5 KW	297	400	600	50	715	610	30,00
	SEAT 50 - 4 KW							
		SEAT 50 - 5,5 KW						

## ENCLOSED PEDESTALS



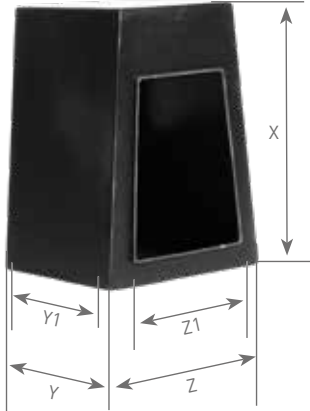
Reference Number	Specification	Compatibility	Type	Dimensions (mm)					Weight (Kg)
				X	Z	Y	Z1 Drilling	Y1	
810450	H 450	SEAT 15 - 0,18 KW	450	450	425	340	318	270	2,74
		SEAT 15 - 0,37 KW							
		SEAT 20 - 0,18 KW							
		SEAT 20 - 0,75 KW							
		SEAT 20 - 1,1 KW							
		SEAT 25 - 0,18 KW							
		SEAT 25 - 0,37 KW							
		SEAT 25 - 0,55 KW							
		STORM 10 - 0,06 KW							
		STORM 10 - 0,09 KW							
810550	H 550	SEAT 25 - 1,5 KW	550	550	425	340	318	270	4,25
		SEAT 25 - 2,2 KW							
		SEAT 25 - 3 KW							
		SEAT 30 - 0,55 KW							
		SEAT 30 - 1,1 KW							
		STORM 14 - 1,1 KW							
810700	H 700	SEAT 35 - 2,2 KW	700	715	585	505	420	430	12,00
		SEAT 35 - 4 KW							
		SEAT 35 - 5,5 KW							
		SEAT 35 - 7,5 KW							
		STORM 18 - 7,5 KW							
		STORM 18 - 7,5 KW							

SEAT SERIES

STORM SERIES

JET SERIES

## ATEX ENCLOSED PEDESTALS



Reference Number	Specification	Compatibility	Type	Dimensions (mm)					Weight (Kg)
				X	Z	Y	Z1 Drilling	Y1	
810450AT	H 450	SEAT 15 - 0,18 KW	450	450	425	340	318	270	2,74
		SEAT 15 - 0,37 KW							
		SEAT 20 - 0,18 KW							
		SEAT 20 - 0,75 KW							
		SEAT 20 - 1,1 KW							
		SEAT 25 - 0,18KW							
		SEAT 25 - 0,37 KW							
		STORM 10 - 0,06 KW							
		STORM 10 - 0,09 KW							
		STORM 12 - 0,18 KW							
810550AT	H 550	SEAT 25 - 1,5 KW	550	550	425	340	318	270	4,25
		SEAT 25 - 2,2 KW							
		SEAT 25 - 3 KW							
		SEAT 30 - 0,55 KW							
		SEAT 30 - 1,1 KW							
		STORM 16 - 2,2 KW							
810700AT	H 700	SEAT 35 - 2,2 KW	700	700	580	500	490	480	15,50
		SEAT 35 - 5,5 KW							
		SEAT 35 - 7,5 KW							
		STORM 18 - 7,5 KW							

MOUNTING OPTIONS

FREQUENCY INVERTER

## STANDARD AND ATEX SWITCHES

### Specifications

3 poles / 1 speed  
Cable 0,8 m. (IP65)  
Weight (Kg): 0,54

### ATEX Specifications

1 speed  
ATEX Zone II  
Weight (Kg): 0,58



Reference standard	Compatibility
819500	SEAT 15 - 0,18 KW
	SEAT 15 - 0,37 KW
	SEAT 20 - 0,18 KW
	SEAT 20 - 0,75 KW
	SEAT 20 - 1,1 KW
	SEAT 25 - 0,18 KW
	SEAT 25 - 0,37 KW
	SEAT 25 - 1,5 KW
	SEAT 25 - 3 KW
	SEAT 25 - 2,2 KW
	SEAT 30 - 0,55 KW
	SEAT 30 - 1,1 KW
	SEAT 35 - 2,2 KW
	SEAT 35 - 5,5 KW
	STORM 10 - 0,09 & 0,12 KW
	STORM 12 - 0,18 & 0,37 KW
	STORM 14 - 1,1 KW
	STORM 16 - 2,5 KW
	STORM 18 - 7,5 KW
	819502
SEAT 50 - 4 KW	
SEAT 50 - 5 KW	

Reference standard	Compatibility
819500AT	SEAT 15 - 0,18 KW
	SEAT 15 - 0,37 KW
	SEAT 20 - 0,18 KW
	SEAT 20 - 0,75 KW
	SEAT 20 - 1,1 KW
	SEAT 25 - 0,18 KW
	SEAT 25 - 0,37 KW
	SEAT 25 - 0,55 KW
	SEAT 25 - 1,5 KW
	SEAT 25 - 2,2 KW
	SEAT 25 - 3 KW
	SEAT 25 - 0,55KW
	SEAT 30 - 1,1 KW
	SEAT 30 - 1,1 KW
	SEAT 35 - 2,2 KW
	SEAT 35 - 5,5 KW
	SEAT 50 - 4 KW
	SEAT 50 - 5 KW
	STORM 18 - 7,5 KW

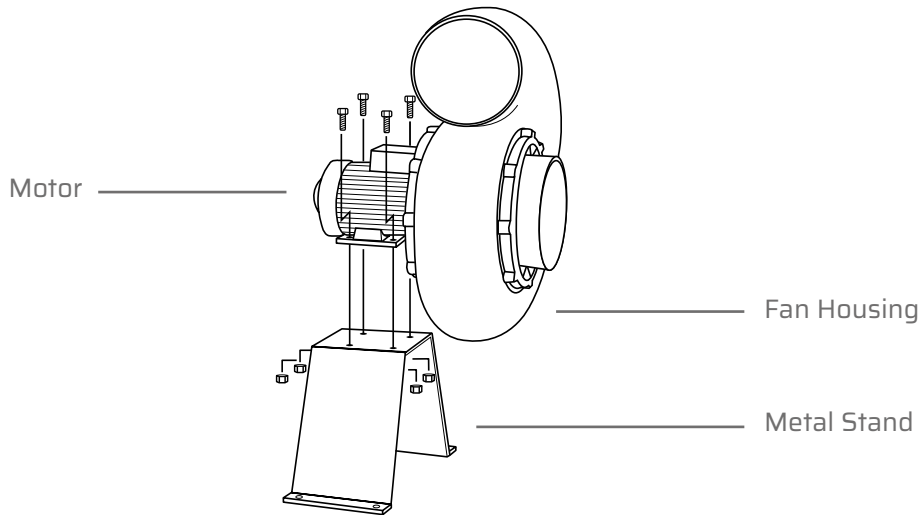


ACCESSORIES

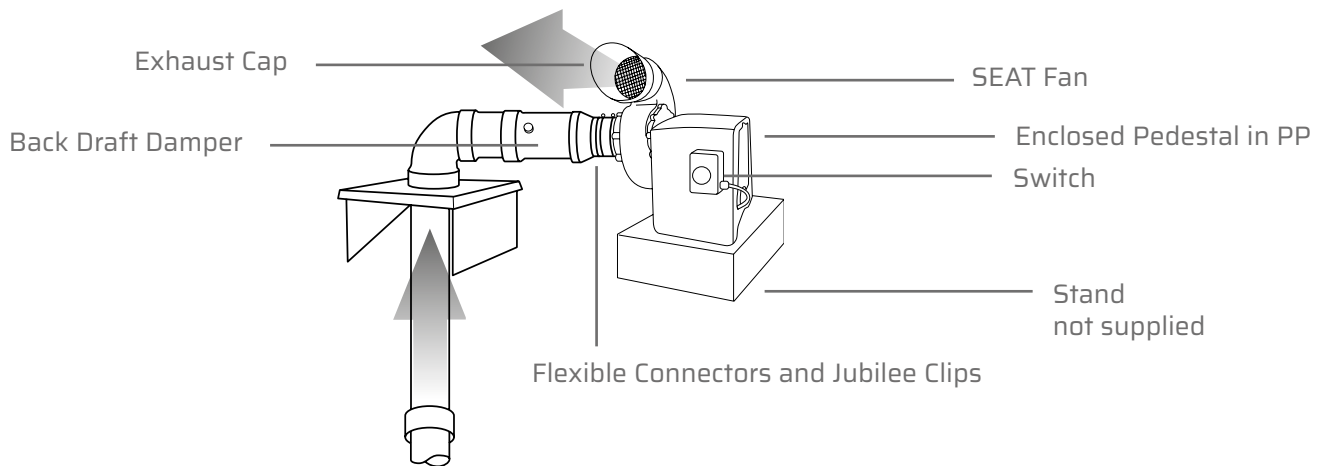
AIR FLOW CONTROLLERS

# OUR RANGE OF MOUNTING BRACKETS

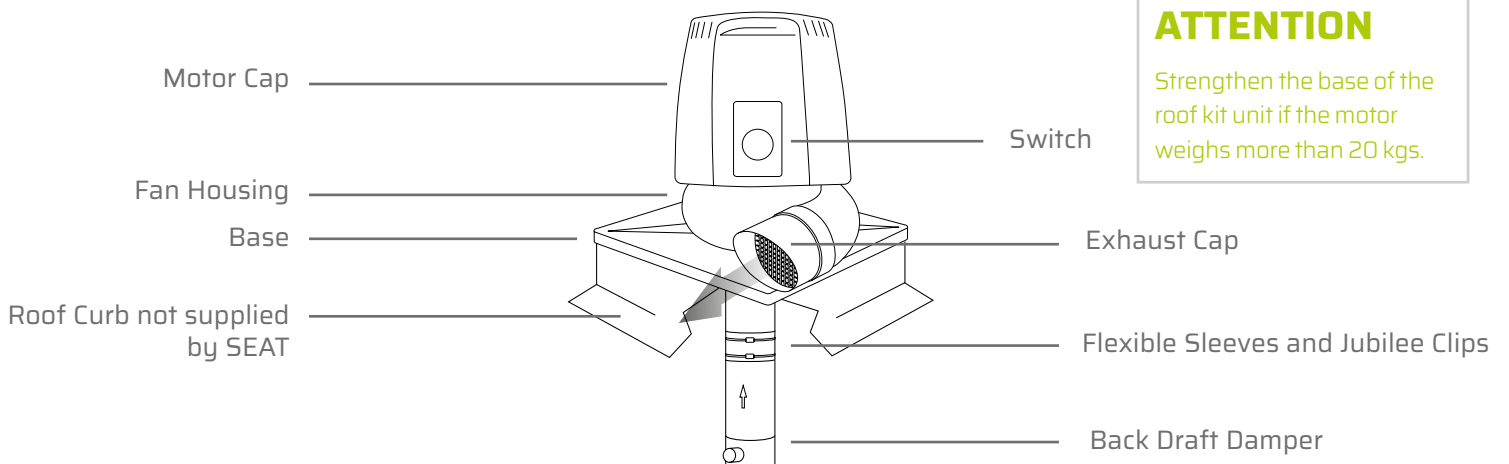
## FAN MOUNTED ONTO METAL STAND



## HIGH CHAIR MOUNTING PROTECTION



## ROOF MOUNTING / ROOF UNIT



### ATTENTION

Strengthen the base of the roof kit unit if the motor weighs more than 20 kgs.